

# Intrepid Series

## Self-Priming Pump

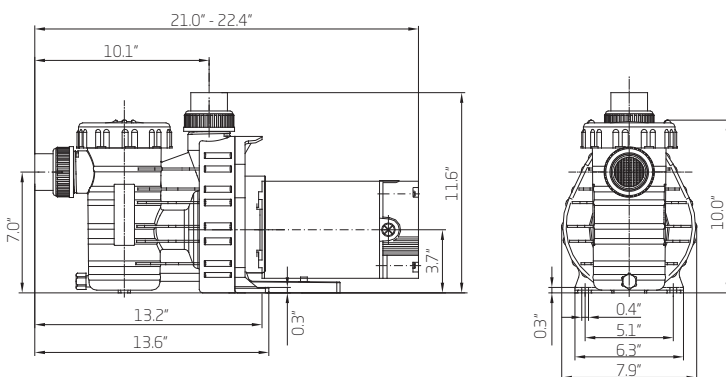


### Features

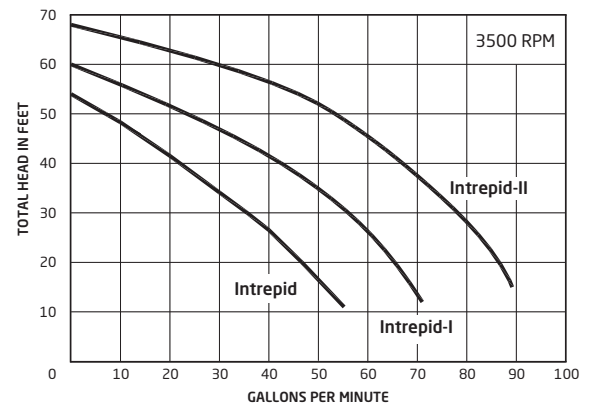
- This self-priming high performance, medium head pump comes complete with a standard 5/8" mechanical seal for convenient replacement.
- Non-corrosive, chemical/UV resistant, and can withstand temperatures of up to 150°F.
- Suction and discharge ports are equipped quick disconnect unions. Provided with a standard 1.5" slip connections. Optional 1.5" NPT connections also available.
- Specially constructed clear lid with ring lock design is easy to open. Strainer basket is always locked in place.
- Pump is equipped with durable, 48 frame thru-bolt mount motor with stainless steel shaft.
- The 115V Models comes standard with a 6 ft. cord set pre-mounted. A variety of longer cord sets are available.
- Every pump is performance tested before leaving the Speck factory.



### Dimensional Drawing



### Performance Curves



### Part Numbers

#### Freshwater Models

Order #	Model #	HP	S.F.	Volts	Cord Set	Motor/Frame
AC212-1075T-OST	Intrepid-I	0.75	1.0	115	6' Standard	Splitphase/48
AC212-1100T-OST	Intrepid-II	1.0	1.0	115	6' Standard	Splitphase/48
AC216-1075T-000	Intrepid-I	0.75	1.0	115/230	No Cord	PSC/48
AC216-1100T-000	Intrepid-II	1.0	1.0	115/230	No Cord	PSC/48
AC215-V100T-000	Intrepid-II VSP	1.1	1.0	115-230	No Cord	TEFC/48

#### Natural Saltwater (Sea Water) Models

Order #	Model #	HP	S.F.	Volts	Cord Set	Motor/Frame
AC212-1075T-7ST	Intrepid-I	0.75	1.0	115	6' Standard	Splitphase/48
AC212-1100T-7ST	Intrepid-II	1.0	1.0	115	6' Standard	Splitphase/48
AC216-1075T-700	Intrepid-I	0.75	1.0	115/230	No Cord	PSC/48
AC216-1100T-700	Intrepid-II	1.0	1.0	115/230	No Cord	PSC/48
AC215-V100T-700	Intrepid-II VSP	1.1	1.0	115-230	No Cord	TEFC/48